

WARNING

BEFORE USING THIS FIREARM READ
AND FOLLOW THESE INSTRUCTIONS

CALICO M100 / M100FS

.22 Lr. Semi-Automatic Carbine

SAFETY AND INSTRUCTION MANUAL

*THIS MANUAL SHOULD ALWAYS ACCOMPANY THIS FIREARM AND BE TRANSFERRED WITH IT
UPON CHANGE OF OWNERSHIP.*

FOR PARTS OR SERVICE CONTACT: CALICO. 1090 Hemlock St. Elgin, OR 97827 Ph: (541) 437-1031

WARNING

If this firearm is carelessly or improperly handled, unintentional discharge could result and could cause injury, death, or damage to property.

CAUTION

Carefully read this instruction manual which gives basic advice on the proper handling and functioning of this CALICO firearm prior to loading and firing. However, your safety and the safety of others (including your family) depends on your mature compliance with that advice, and your adoption, development and constant employment of safe practices. If unfamiliar with firearms, seek further advice through safe handling courses run by your local gun clubs, NRA approved instructor, or similar qualified organizations.

NOTICE - DISCLAIMER OF LIABILITY

CALICO shall not be responsible for injury, death, or damage to property resulting from either intentional or accidental discharge of this firearm, or from its function when used for purposes or subjected to treatment for which it was not designed. CALICO will not honor claims involving this firearm which result from careless or improper handling, unauthorized adjustment or parts replacement, corrosion, neglect, or the use of wrong caliber ammunition, or the use of ammunition other than original high quality commercially manufactured ammunition in good condition, or any combination thereof. CALICO will not honor claims involving this firearm for any reason or cause when such claims are made by the second or subsequent owner.

IMPORTANT

Before it left the factory this firearm was tested, carefully inspected, and packaged. CALICO cannot control product handling after it leaves the factory; therefore, please examine this firearm carefully at the time of purchase to insure that it is unloaded and undamaged. The dealer will be pleased to assist you in making this examination and endeavor to answer your further questions. This instruction manual should always accompany this firearm and be transferred with it upon change of ownership

4 **WARNING**

It is dangerous to alter or modify this firearm in any way. Any alteration or modification of the firing mechanism may result in this firearm becoming unsafe. Any attempt to alter or modify this firearm is illegal and will nullify all warranties and will be subject to immediate notification of appropriate federal law enforcement agencies.

Welcome to the proud family of Calico Carbine owners. In acquiring your new Calico carbine, you have chosen a firearm ahead of all others in innovative design and capacity.

To get the most out of your Calico Carbine, please read this manual from cover to cover before handling and operating the Carbine for the first time.

TABLE OF CONTENTS

I. SAFETY

- A. Safety Instructions
- B. Cautions
- C. Safety Features
 - 1. Trigger Block
 - 2. Hammer Block

II. DESCRIPTION AND FEATURES

- A. Diagram of Features
- B. Specifications
- C. Magazine
 - 1. Function
 - 2. Disassembly
 - 3. Assembly

II. D. Carbine Cont...

- 1. Extending / Folding Buttstock
- 2. Removing / Installing Barrel Assembly
- 3. Disassembling Receiver
- 4. Reassembling Receiver

III. OPERATING

- A. Loading, Unloading, & Attaching Magazine
- B. Cocking, Sighting & Firing
- C. Adjusting Sights
- D. Care & Cleaning
- E. Trouble Shooting

SAFETY INSTRUCTIONS

We want you to enjoy shooting your CALICO M-100, and we want you to enjoy it safely. You may be an experienced safe shooter already familiar with the procedures in the instruction manual, or you may never have handled a gun before. Either way, we urge you to **READ THIS ENTIRE INSTRUCTION MANUAL CAREFULLY. YOU MUST FOLLOW THE SAFETY INSTRUCTIONS FOR YOUR SAFETY AND THE SAFETY OF OTHERS.**

WARNING

When you **SQUEEZE** the trigger, you must expect the gun to fire, and you must take full responsibility for firing it. Your care can avoid accidental discharge and you will thereby avoid accidental injury and death.

GENERAL HANDLING CAUTIONS

1. Always handle your carbine as if it were loaded so that you never fire it accidentally when you think it is unloaded.
2. Never point your carbine at anything you do not intend to shoot so that if it fires accidentally, injury, death, or damage to property will be prevented.
3. Never take anyone's word that a gun is unloaded: check for yourself with fingers off the trigger and gun pointed in a safe direction, so that you never fire the gun accidentally when you think it is unloaded.

8 CAUTIONS

4. Always make sure your carbine is not loaded and the bolt is latched open before laying it down, or handing it to another person, so that it cannot be fired when it is unsafe to do so.
5. Always keep and carry your carbine empty, with the hammer forward except when you intend to shoot, so that your carbine cannot be fired when you do not mean to fire it.
6. Always be aware of possible risk from dropping your carbine. Some parts of the mechanism could be damaged. You may not see the damage but if it is severe, the carbine may discharge and cause injury, death or damage to property. If your carbine has been dropped, have it examined by a competent gunsmith before using it again.
7. Never leave your carbine cocked ready to fire as this condition is extremely dangerous, and the carbine could easily be accidentally discharged, causing injury, death, or damage to property.
8. Never leave a loaded carbine unattended; someone, especially a child, may fire it and cause injury, death, or damage to property.

9. Always instruct children to respect firearms. If you teach your children to shoot, teach them or get them trained by a qualified instructor to treat and use the carbine properly, and always supervise them closely. Always stress safety so that your children will not fire the carbine when it is unsafe to do so.

RANGE CAUTIONS

10. Always be sure your backstop is adequate to stop and contain bullets before beginning target practice so that you do not hit anything outside the range shooting area.
11. Always put a knowledgeable and responsible person in charge to maintain safety control when a group is firing on a range. Obey his commands so that discipline is maintained to reduce the likelihood of accidents.
12. Always carry your carbine empty with bolt latched open while on a range until preparing to fire, keep it pointing towards the backstop when loading, firing and unloading, to eliminate the risk of injury, death, or damage to property.

10 CAUTIONS

LOADING CAUTIONS

13. Always be sure barrel bore, chamber and action are clean and clear of obstructions. Clean a fouled carbine immediately so that it will function correctly and safely.
14. Always use only clean, dry, original high quality commercially manufactured ammunition in good condition which is appropriate to the caliber of your carbine. Gun and ammunition manufacturers design their products within exacting engineering safety limits. However, improperly stored or handled ammunition and excessively dirty or greasy ammunition may not function properly in this firearm possibly causing subsequent injury, death, or property damage.

SHOOTING CAUTIONS

15. Never drink alcoholic beverages or take drugs before or during shooting, as your vision and judgment could be seriously impaired making your gun handling unsafe.
16. Always seek a doctor's advice if you are taking medication, to be sure you are fit to shoot and handle your carbine safely.

17. Always wear and encourage others near you to wear ear protection when shooting, especially on a range. Without protection, the noise from your carbine and other guns close to you could leave a “ringing” in the ears for some time after firing, while the cumulative long term effect could be permanent hearing loss.
18. Always wear and encourage others to wear protective shooting glasses. Flying particles could damage eyes and cause blindness; but protective shooting glasses should prevent such injury.
19. Always keep the safety on when the carbine is loaded and cocked until you are ready to fire. This will minimize the risk of an accidental discharge.
20. Always keep clear and keep others clear of the ejection port. Spent cartridges are ejected with enough force to cause injury and the ejection port must be unobstructed by your hand to insure safe ejection of live rounds. Never place fingers in the ejection port; they could be burned by hot metal or injured by the bolt moving forward.

12 CAUTIONS

21. Never squeeze the trigger or put your finger in the trigger guard until you are aiming at a target and ready to shoot. This will prevent you from firing the carbine when it is pointing in an unsafe direction.
22. Always be absolutely sure of your target and the area behind it before you squeeze the trigger. A bullet could travel through or past your target up to 1½ miles... if in doubt, don't shoot.
23. Never shoot at a hard surface such as rock or a liquid surface such as water. A bullet may ricochet and travel in any direction to strike you, or an object you cannot see, causing injury, death, or damage to property.
24. Never fire your carbine near an animal unless it is trained to accept the noise; an animal's startled reaction could injure it or cause an accident.
25. Never indulge in "horseplay" while holding your carbine, as it may be accidentally discharged.

26. Never walk, climb or follow a companion with your carbine cocked ready to fire, or with the hammer in any position other than forward on an empty chamber, to eliminate risk of accidental discharge. When hunting, hold your carbine so that you can always control the direction of the muzzle.

MALFUNCTION CAUTIONS

27. Failure to fire: Always hold carbine, keeping it pointed towards the target or a safe open area and wait 30 seconds when carbine fails to fire. If a hangfire (slow ignition) has occurred, round will fire within 30 seconds. If a round does not fire, remove magazine, eject round and examine the rim; if firing pin indent on rim is light, off center, or non-existent, have carbine examined by a competent gunsmith. If firing pin indent on primer appears normal (in comparison with similar previously fired rounds) assume faulty ammunition; segregate misfired rounds from other live ammunition and empty cases, reload and carry on firing.
28. Never use your carbine if it fails to function properly, and never force a jammed action, as a round may explode causing serious injury, possible death, or severe damage to your carbine.

14 CAUTIONS

CLEANING AND STORAGE CAUTIONS

29. Always make sure your carbine is not loaded before cleaning and storing so that it cannot be fired when it is unsafe to do so.
30. Always keep and store your carbine and ammunition in separate locked receptacles out of reach and sight of children and untrained people, to minimize the risk of carbine and ammunition being easily available for loading and firing.

GUN ABUSE CAUTIONS

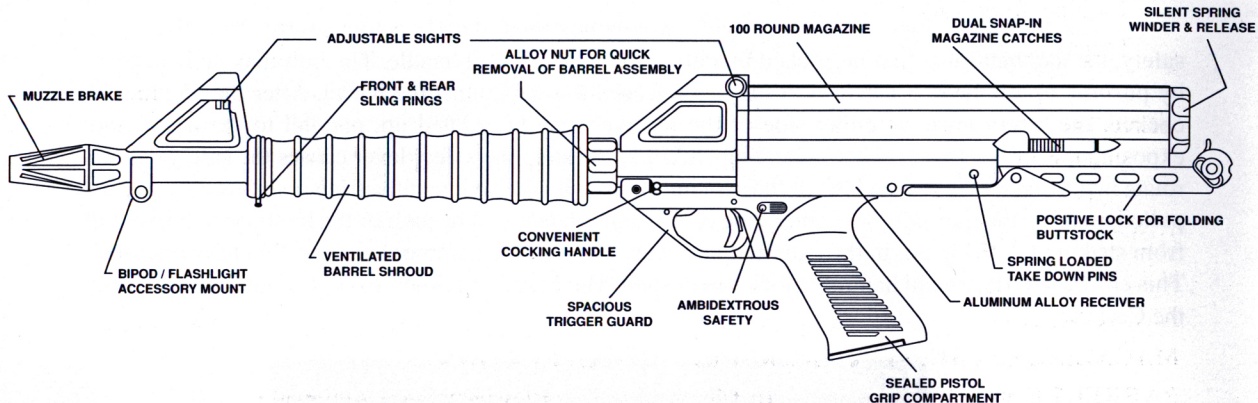
31. Never abuse your carbine by using it for any purpose other than shooting.
32. Never dry fire the carbine when the lower receiver is removed from the upper receiver, and do not alter parts as the level of safety could be reduced.

NOTE: Please note that we have chosen to use the word “squeeze” in this instruction manual instead of “pull” or “press” when trigger movement is described; this is simply to remind you of the need for a gentle squeezing action to achieve accuracy.

M-100 SAFETY - TRIGGER AND HAMMER BLOCK

The M-100 Carbine is equipped with an ambidextrous, double acting safety. To activate the safety, the hammer must first be cocked by pulling back on the bolt handle. The bolt may be held back by pushing up on the bolt catch, or it may be released to seat against the barrel. After the hammer is cocked, the safety lever on either side of the receiver may be rotated up, parallel to the barrel and exposing the "S" on the receiver, indicating "SAFE". Rotating the safety lever causes the safety cam to rotate inside the receiver. One lobe of the cam interferes with the action of the trigger so that it cannot be pulled, making the gun safe. The other lobe of the cam rotates into the path of the hammer to prevent it from striking the firing pin in the extremely unlikely event of the hammer being accidentally released. This combined trigger and hammer block safety should be used at all times, except when actually firing the Carbine

REMEMBER - SAFETY DEPENDS ON YOU

CALICO®**M-100****.22 LR CARBINE**

M-100 SPECIFICATIONS

WEIGHT

Carbine, w/o magazine	4.2 lb.
Carbine, fully loaded	5.7 lb.
Magazine, empty	14 oz.
Magazine, w/100 rounds	24 oz.

LENGTH

Stock folded	29.8 in.
Stock extended	35.8 in.

HEIGHT (MAX)

7.3 in.

WIDTH (MAX)

2.2 in.

AMMUNITION

.22 LR ONLY

MAGAZINE CAPACITY

100 Rounds

BARREL LENGTH

16.1 in.

BARREL RIFLING, RH 6 GROVES

12" lead

Sight radius

12.2 in.

FRONT SIGHT

Post, Adjustable for Elevation

REAR SIGHT

Notch, Adjustable for Windage

SAFETY

Ambidextrous, Trigger & Hammer Block

OPERATION

Blowback Semi-Automatic

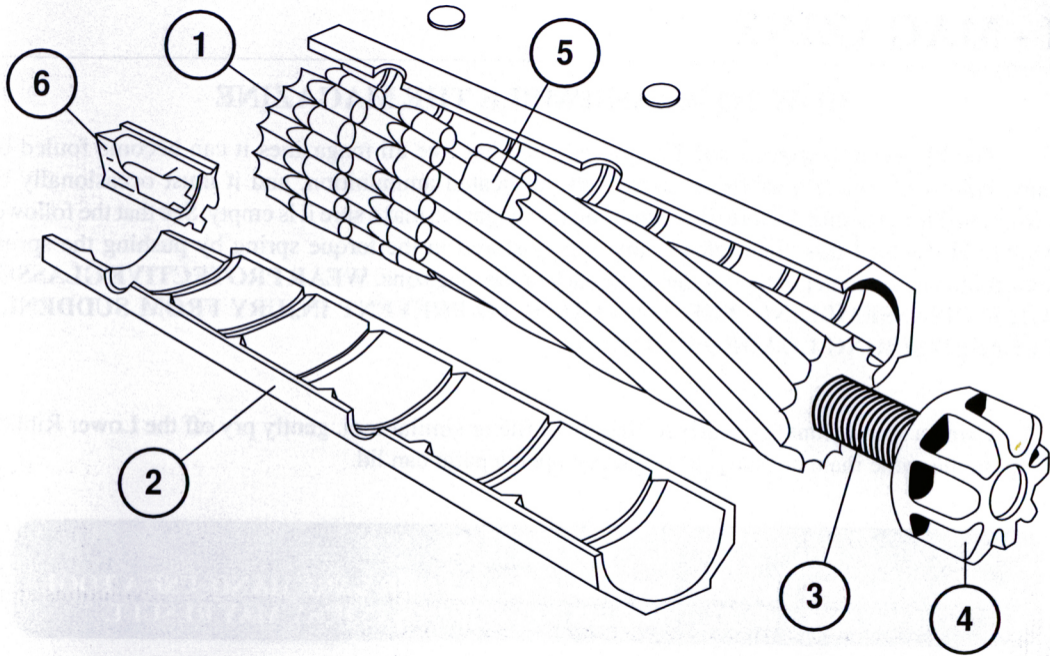
II - DESCRIPTION AND FEATURES

A. MAGAZINE

The magazine for the M-100 Carbine is unique in its design and function, and offers advantages of increased capacity, compactness, streamlining and balance. As shown in the diagram, the “helical feed” magazine necessarily has more parts than a conventional column-type magazine, and must be properly handled and serviced to assure safe and consistent shooting.

HOW IT WORKS

The M-100 magazine contains 100 rounds laying end-to-end in fourteen grooves in the cartridge carrier (#1). The rounds are separated by a helical rib which is molded into the OUTER SHELL (#2). The TORQUE SPRING (#3) rotates the driver, which propels the rounds along the helical “path” in the outer shell. The energy stored by the torque spring is controlled by the CLUTCH ASSEMBLY (#4). The FOLLOWER (#5) pushes the last round into the FEED LIPS (#6), and completes $7\frac{1}{2}$ revolutions along the length of the magazine when a fully loaded magazine is emptied.



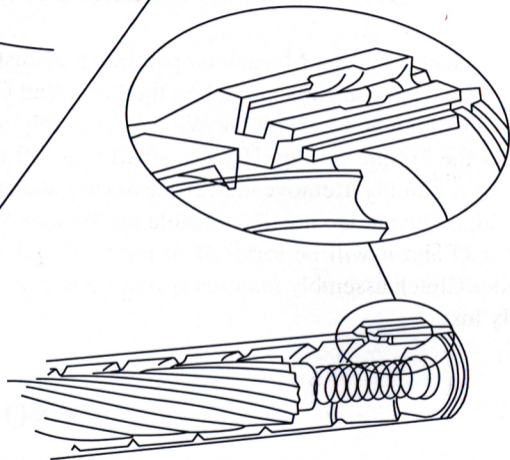
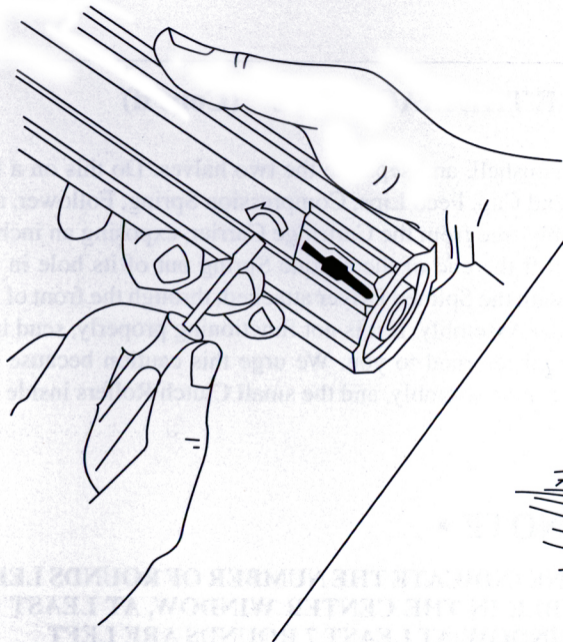
HOW TO DISASSEMBLE THE MAGAZINE

The M-100 magazine is durable and reliable, but like all magazines it can become fouled by accumulations of dirt or wax from excessively lubricated ammunition, and it must occasionally be disassembled for cleaning. Before disassembling the magazine make sure it is empty. See that the follower is visible in the feed lips, then release any energy stored in the torque spring by pushing the spring release button in the center of the winder at the back of the magazine. **WEAR PROTECTIVE GLASSES WHILE DISASSEMBLING THE MAGAZINE TO PREVENT INJURY FROM SUDDENLY RELEASED SPRING LOADED PARTS.**

Using a small blunt screwdriver, fingernail file or similar tool, gently pry off the Lower Ribbon Clamp, in the same manner that you would pry open a paint can lid.

CAUTION

DO NOT GRASP THE RIBBON CLAMP WITH YOUR BARE HAND. USE A TOOL, OR WEAR GLOVES. OTHERWISE, SERIOUS INJURY MAY RESULT.



HOW TO DISASSEMBLE THE MAGAZINE (Cont'd)

Gently pry the Magazine open like a clamshell, and separate the two halves. Do this on a flat surface so the loose parts, including the Front End Cap, Feed Lips, Compression Spring, Follower, and Lenses will not be lost. Pull the Winder Assembly free from the Cartridge Carrier, exposing an inch or two of the Torque Spring. Using a small tool, lift the end of the Torque Spring out of its hole in the Winder Assembly. Remove the Torque Spring, with the Splined Driver attached, through the front of the Cartridge Carrier. Do not disassemble the Winder Assembly. If it is not functioning properly, send it to CALICO and it will be serviced or replaced and returned to you. We urge this caution because the Winder/Clutch assembly requires special tools for disassembly, and the small Clutch Rollers inside are easily lost.

• NOTE •

THE LENSES ON TOP OF THE MAGAZINE INDICATE THE NUMBER OF ROUNDS LEFT IN THE MAGAZINE. IF BRASS IS VISIBLE IN THE CENTER WINDOW, AT LEAST 50 ROUNDS ARE LEFT; IN THE FRONT WINDOW, AT LEAST 7 ROUNDS ARE LEFT

HOW TO RE-ASSEMBLE THE MAGAZINE

Note that the two halves of the magazine's outer shell have matching pins and sockets for alignment. Place the "pin" half on a flat surface, concave side up. Place the follower between two segments of the helical rib, flat side down. Insert the torque spring through the front of the cartridge carrier, making sure the splined driver is properly aligned and free to move in its track. Pull an inch or two of the torque spring out the end of the cartridge carrier, and re-insert the hooked end of the torque spring into the small hole in winder assembly. Fit the winder assembly into the end of the cartridge carrier and place them together into the pin half of the outer shell. **MAKE SURE THE WINDER ASSEMBLY IS NESTED PROPERLY, AT THE REAR OF THE MAGAZINE (OPPOSITE THE LARGE OPENING FOR THE FEED LIPS).** Now, place the feed lips into position, noting that the angle at the rear of the feed lips matches the angle in the outer shell. Insert the compression spring into the cartridge carrier so it pushes against the splined driver. Place the front end cap in position, so that its pin fits into the socket in the feed lips, and it is nested properly in the outer shell half. Now place the "socket" outer shell half in place, making sure it fits snugly over the front end cap and winder assembly,

HOW TO RE-ASSEMBLE THE MAGAZINE (Cont'd)

and that the feed lips are locked into position. Holding the magazine together in one hand, hook one edge of the lower Ribbon Clamp into the Dovetail and snap the Clamp into place along its full length.

CAUTION

DO NOT GRASP AND PUSH ON THE RIBBON CLAMP WITH BARE HANDS AS INJURY MAY RESULT. HOLD THE RIBBON CLAMP WITH A RAG, OR WEAR GLOVES.

Still holding the Magazine together, turn it over and place the three clear plastic Lenses in their sockets. Finally, position the Upper Ribbon Clamp with the holes over the Lenses and snap it into place along its full length. Check if the magazine is functioning properly by holding it upside down (Feed Lips Up) and turning the Winder clockwise until the Follower stops in the Feed Lips. Wind the Magazine and additional 10 full turns, then release the Spring by pushing the Release Button in the center of the Winder. You should hear the Spring “burb” as it unwinds. If you don’t, refer to the trouble shooting

HOW TO RE-ASSEMBLE THE MAGAZINE (Cont'd)

section of the manual. Now, wind the magazine again until the follower stops in the feed lips. The magazine is ready to load.

II - DESCRIPTION AND FEATURES

B. THE CARBINE

The M-100 Carbine was designed to maximize the potential advantages of the Helical Feed Magazine. With the magazine located above and behind the shooter's hand, the Carbine handles like a pistol. Its sturdy folding buttstock allows the M-100 to be fired from the shoulder for long range accuracy, and folds completely out of the way so that it does not interfere with the shooter's forearm, allowing close-range "point-Shoot" accuracy. The M-100's Barrel Assembly is easily removable for cleaning or storing, and includes important features not usually found on rim-fire carbines, such as adjustable

II - DESCRIPTION AND FEATURES

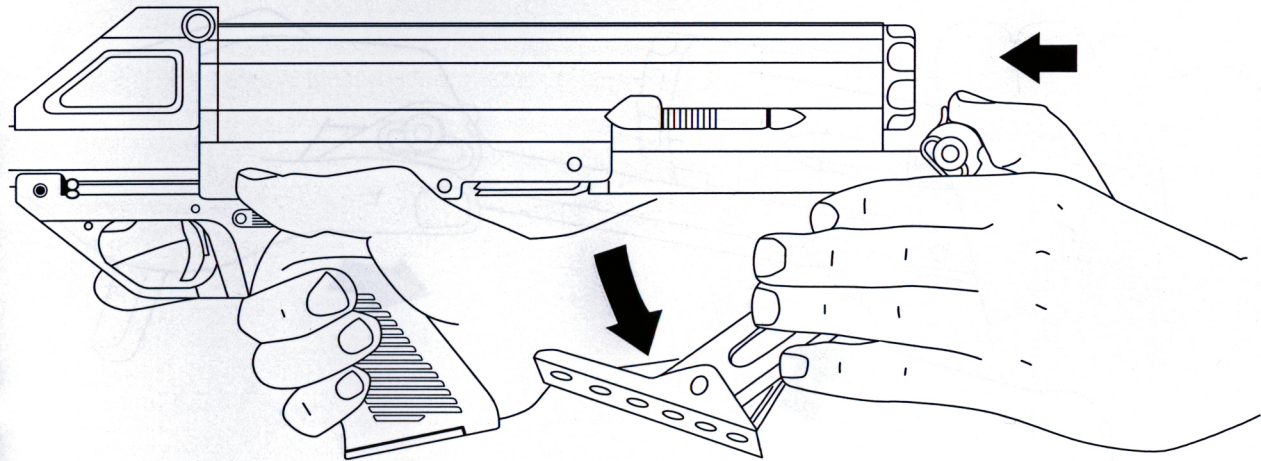
THE CARBINE (Cont'd)

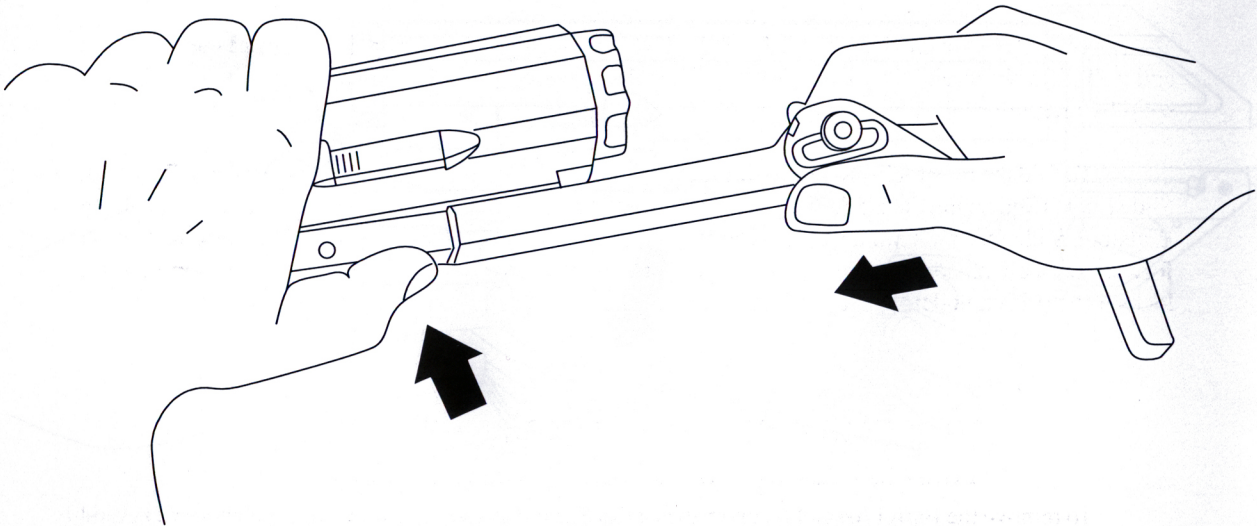
sights (no tools necessary), flash suppressor/muzzle brake, swivel sling ring, ventilated barrel shroud, and accessory mounting lug. The M-100 Carbine is constructed of high quality materials, including die-cast aluminum alloy (receiver and front sight), hardened spring steel (buttstock and action) and glass-fiber reinforced thermoplastic (magazine, pistol grip, and barrel shroud).

YOUR M-100 CARBINE SHOULD ALWAYS BE HANDLED AND MAINTAINED WITH THE CARE DUE ANY POTENTIALLY LETHAL DEVICE. IT IS BUILT TO BE DURABLE AND RELIABLE, BUT ABUSE OR NEGLECT OF THIS OR ANY FIREARM MAY CAUSE A POTENTIALLY HARMFUL MALFUNCTION.

EXTENDING AND FOLDING THE BUTTSTOCK

To extend the M-100's steel buttstock, grasp the carbine's pistol grip and with the thumb of the other hand push forward on the end of the buttstock release lever. The buttstock arm should spring slightly





II - DESCRIPTION AND FEATURES

EXTENDING AND FOLDING THE BUTTSTOCK (Cont'd)

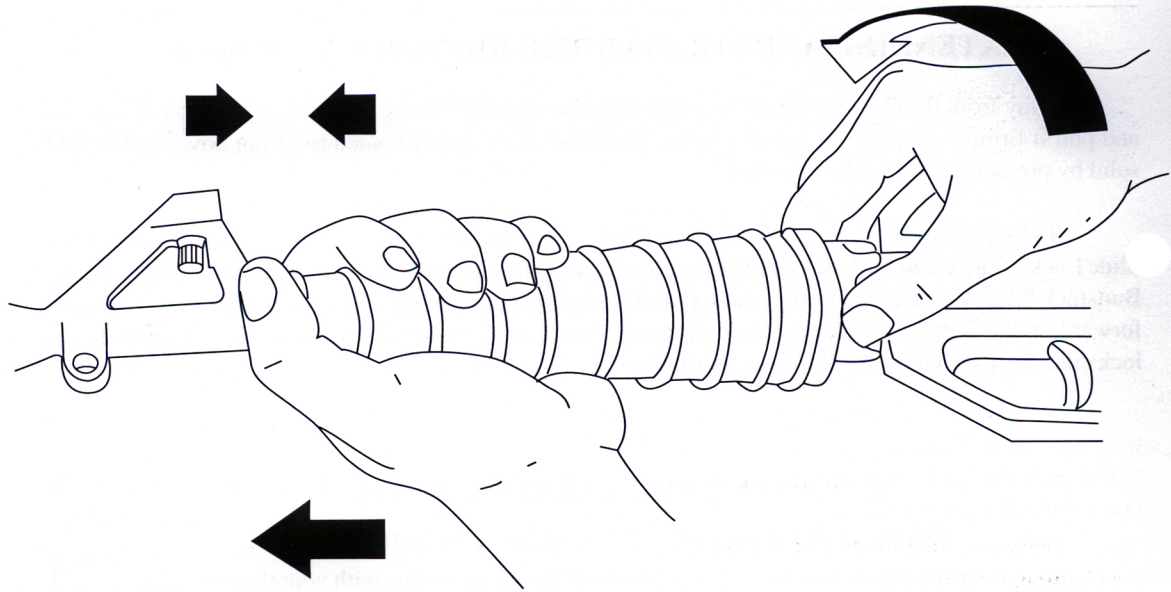
away from the receiver; rotate it until it locks (as shown). Now grasp the extended buttstock arm and pull it firmly, straight back, until it locks. The buttplate is spring-loaded to swing down and is held solid by pressure against your shoulder.

To fold the buttstock, grasp the Carbine's Pistol Grip and with the other hand depress the Buttstock Slide Lock. (Squeezing the Lock and Magazine between forefinger and thumb as shown). Firmly push the Buttstock Slide forward until it stops, being careful not to pinch the finger depressing the Lock. Now push forward on the Buttstock Release Lever with your thumb, and rotate the Buttstock Arm forward until it locks into position under the Receiver, as shown.

REMOVING THE BARREL ASSEMBLY

FIRST MAKE CERTAIN THE CARBINE IS NOT LOADED!

To remove the Barrel Assembly, grasp the Barrel Shroud as shown, with your thumb hooked behind



REMOVING THE BARREL ASSEMBLY (Cont'd)

the flange of the Front Sight, and draw the Shroud forward $\frac{1}{32}$ inch or until it stops. Doing this disengages the Barrel Nut ratchet, and allows you to unscrew the Barrel Nut. Pull slightly on the Shroud while unscrewing the Nut, until the whole Barrel Assembly slides free.

INSTALLING THE BARREL ASSEMBLY

CAUTION

BEFORE INSTALLING THE BARREL ASSEMBLY MAKE CERTAIN THAT THE BARREL BORE IS CLEAN AND FREE OF ANY OBSTRUCTION. IF THE BARREL IS OBSTRUCTED WHEN THE CARBINE IS FIRED, SERIOUS INJURY MAY RESULT.

Slip the Barrel into the Upper Receiver as shown, with the Front Sight approximately in line with the Rear Sight. Make sure that the key in the Barrel is aligned with the slot in the front of the Upper Receiver, then tighten the Barrel Nut. The Barrel Nut ratchet will click as it is being turned, and will prevent the Nut from loosening after it is tightened. Tighten the Nut by hand only. Do not use a wrench.

Make sure that the Barrel Assembly is properly aligned and firmly fixed in place before loading the Carbine.

II - DESCRIPTION AND FEATURES

DISASSEMBLING THE RECEIVER

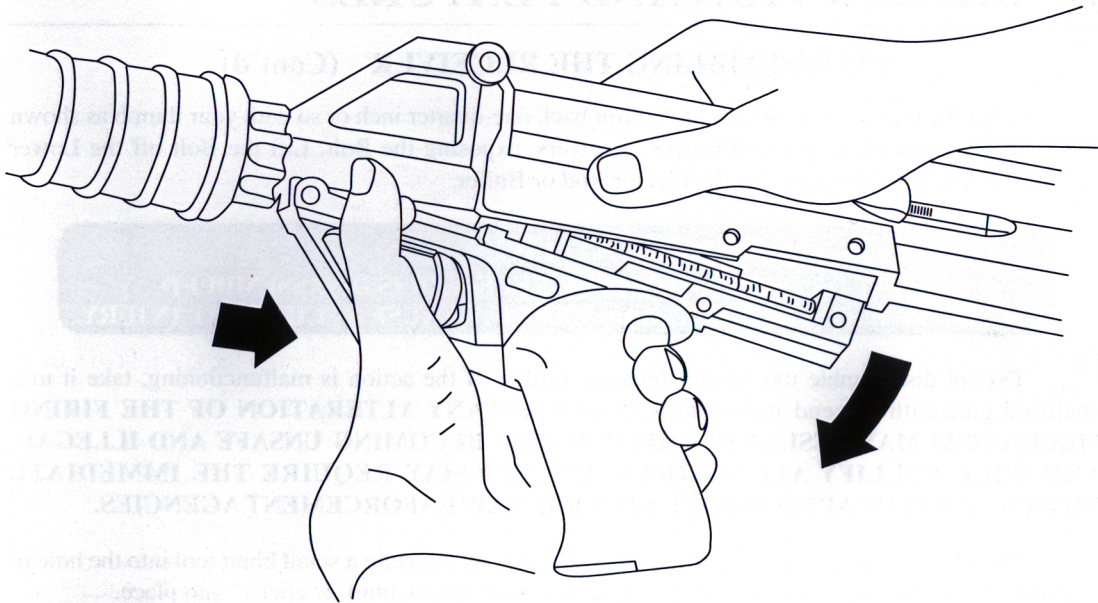
CAUTION

MAKE SURE THE MAGAZINE IS REMOVED AND THE CHAMBER IS CLEAR BEFORE DISASSEMBLING THE RECEIVER. OTHERWISE, SERIOUS INJURY MAY RESULT.

The Upper and Lower Receivers are held together by two hollow spring pins, located as shown. Cock the empty carbine and put the Safety on, then push the spring pins out. If they are too tight to remove by hand, a small twig or other safe object may be used to push the pins out.

CAUTION

NEVER USE LIVE AMMUNITION TO PUSH THE PINS. DOING SO MAY CAUSE THE ROUND TO ACCIDENTALLY DISCHARGE AND MAY RESULT IN SERIOUS INJURY OR DEATH



II - DESCRIPTION AND FEATURES

DISASSEMBLING THE RECEIVER (Cont'd)

After the pins are removed hold the Bolt back one-quarter inch or so with your thumb as shown and carefully open the Upper and Lower Receivers, exposing the Bolt. Lift the Bolt off the Lower Receiver, being careful not to lose the Ejector Rod or Buffer.

CAUTION

**DO NOT DRY FIRE WHILE THE RECEIVER IS DISASSEMBLED.
OTHERWISE, THE EXPOSED HAMMER MAY CAUSE ACCIDENTAL INJURY.**

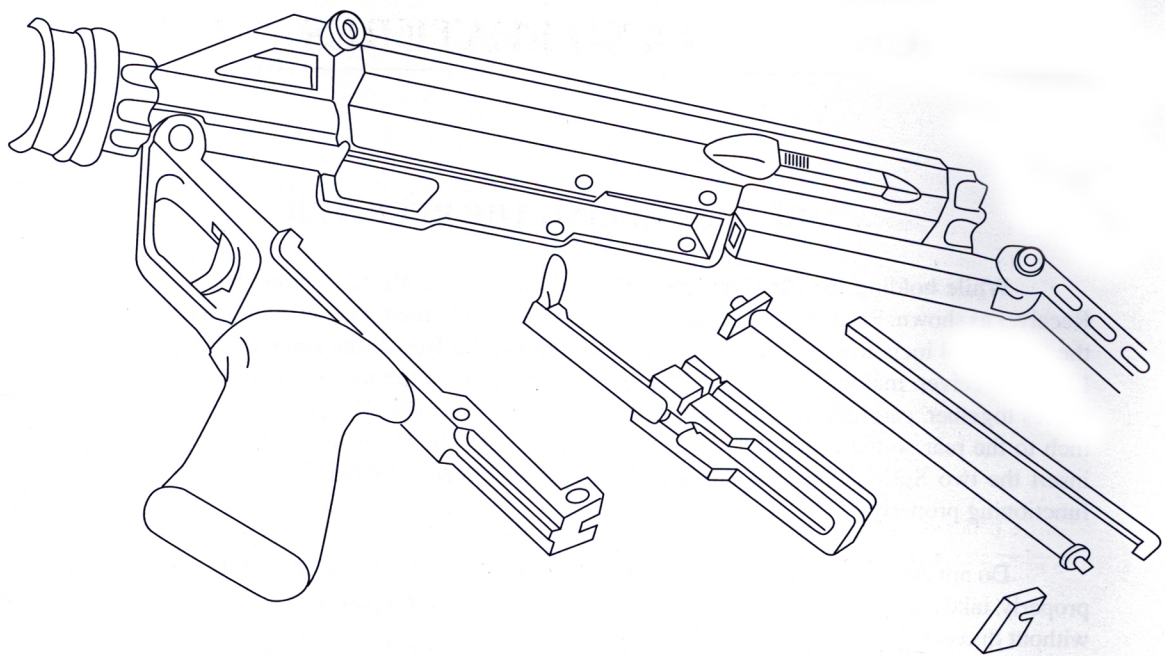
Do not disassemble the Lower Receiver further. If the action is malfunctioning, take it to a qualified gunsmith or send it to CALICO for repair. **ANY ALTERATION OF THE FIRING MECHANISM MAY RESULT IN THIS FIREARM BECOMING UNSAFE AND ILLEGAL, AND WILL NULLIFY ALL WARRANTIES AND MAY REQUIRE THE IMMEDIATE NOTIFICATION OF APPROPRIATE FEDERAL LAW ENFORCEMENT AGENCIES.**

NOTE: The pistol grip compartment opens easily by inserting a small blunt tool into the hole in the front, and sliding the door forward. To close, just push it back until it “clicks” into place.

RE-ASSEMBLING THE RECEIVER

While holding the Receiver open, place the Neoprene Buffer against the back of the Lower Receiver as shown. Place the end of the Recoil Spring Rod into the socket in the Buffer, and compressing the Spring 1/4 inch, lower the Bolt in place. Lay the Ejector Rod in the slots in the top of the Bolt and Lower Receiver, making sure the 'L' part of the Ejector is to the rear and down. Close the Receiver halves together, carefully fitting the Bolt into the Upper Receiver. The Bolt Handle must be held 1/4 inch to the rear so the Extractor will clear the Barrel and the Receivers will mate properly. Finally, insert the two Spring Pins into the 3/16 holes in the Receiver. Work the action to make sure it is functioning properly.

Do not disassemble the Bolt any further than removing the Recoil Spring. If it is not functioning properly, take it to a qualified gunsmith or send it to CALICO for repair. The Bolt may easily be cleaned without disassembly.



LOADING, UNLOADING, AND ATTACHING THE MAGAZINE

The Helical-Feed Magazine must be loaded through the Feed Lips, one round at a time like every other .22 Magazine. Loading 100 rounds may sound tedious, but is less so than loading ten rounds ten times. Also, the M-100 Magazine is equipped with a Spring Release, so the rounds may be inserted into the Magazine with NO SPRING RESISTANCE.

To load the Magazine, first release any spring tension by pushing the Spring Release Button in the center of the Winder. Then turn the Winder just enough to make the Follower visible in the Feed Lips. Load one round by pushing the Rim down against the Follower until the Rim can slide back under the Feed Lips. Repeat the procedure until the Magazine is fully loaded. It will be helpful to push the Spring Release Button 2 or 3 times while loading, as the tension buildup will somewhat hamper the loading process. After loading 100 rounds into the Magazine, turn the Winder through fifteen (15) complete turns. There is a raised line on the back of the Winder to help you count the turns.

CAUTION: DO NOT OVERWIND THE MAGAZINE

III - OPERATION AND MAINTENANCE

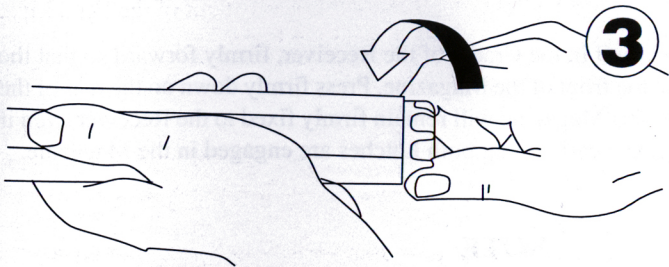
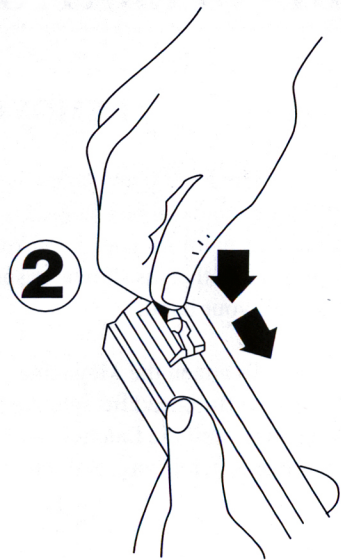
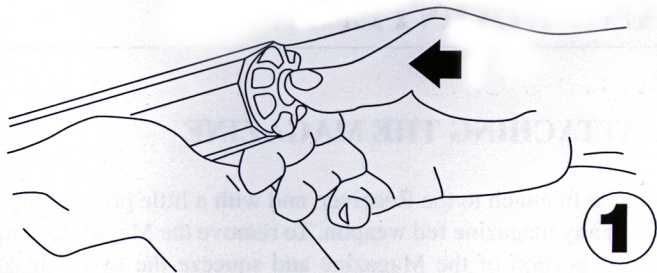
LOADING, UNLOADING, AND ATTACHING THE MAGAZINE (Cont'd)

Although the Torque Spring is designed to survive some overwind, overwinding may damage the Spring and will significantly increase the force necessary to strip a round from the Feed Lips. If the rotation of the Cartridge Carrier seems sluggish, or if the rounds fail to feed properly, it is most likely due to excessively lubricated or dirty ammunition. Use only CLEAN ammunition for good results. Refer to the Trouble-Shooting Section for further information.

To unload the magazine, each round must be individually pushed forward out of the Feed Lips. Use your thumbnail, a small stick or other safe blunt tools to push the rounds out.

CAUTION

**DO NOT USE ANY SHARP METAL TOOL TO UNLOAD THE MAGAZINE.
OTHERWISE, A ROUND MAY DISCHARGE ACCIDENTALLY
AND POSSIBLY CAUSE INJURY.**



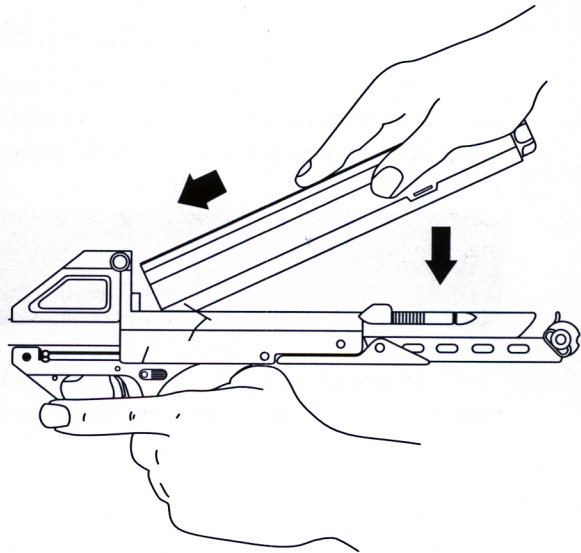
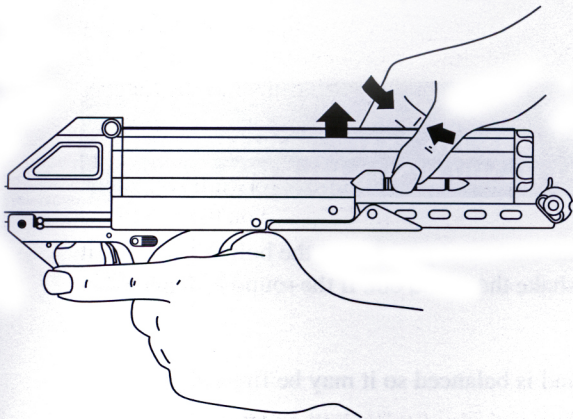
REMOVING / ATTACHING THE MAGAZINE

The M-100 Magazine is quite simple to attach to the Receiver, and with a little practice the M-100 Magazine can be changed as rapidly as any magazine fed weapon. To remove the Magazine simply place the palm of your hand over the rear portion of the Magazine and squeeze the two Magazine Latches together, as shown. A spring button in the Receiver will push the Magazine clear of the Latches and into your hand.

To attach the Magazine, simply place it in the Cradle of the Receiver, firmly forward so that the Pin on the Bulkhead fits into the Socket in the front of the Magazine. Press firmly down on the rear of the Magazine until the Latches snap in place. The Magazine will remain firmly fixed to the Receiver even if only one Latch is engaged, but check to make certain that both Latches are engaged in the Magazine.

NOTE

The Magazine can be attached with the Bolt forward or back.



III - OPERATION AND MAINTENANCE

COCKING, SIGHTING & FIRING

With the Magazine attached, the M-100 Carbine is made ready to fire by simply pulling sharply back on the Bolt Handle until it stops, and then releasing it. As the Bolt Springs forward it strips a round out of the Feed Lips and puts it in the Chamber.

CAUTION

ALWAYS MAKE SURE YOUR CARBINE'S SAFETY IS IN THE "SAFE" POSITION WHEN ATTACHING A LOADED MAGAZINE AND CHAMBERING A LIVE ROUND.

If a round jams while loading, pull the Bolt Handle back, and push up on the bolt stop to lock it back. Hold the Carbine with the Ejection Port down and shake the round out. If the round is damaged in any way, discard it in a safe place.

The M-100 is designed with versatility in mind and is balanced so it may be fired like a pistol, from the hip, or from the shoulder.

FIRING

TO FIRE

1. Be sure you are familiar with all the safety instructions in this manual.
2. Load Magazine, attach to Carbine, and chamber a round as previously described.
3. Grasp Carbine by Pistol Grip and with index finger along the outside of the Trigger Guard, take aim. Aim by aligning the Front and Rear Sights.
4. Press Safety down, out of engagement.
5. Place index finger on trigger and squeeze gently until the Hammer falls. Don't jerk the Trigger as you will disturb your aim. To fire the second and subsequent rounds, all that is necessary is to release the Trigger and squeeze it again after every shot until you have completed firing.

III - OPERATION AND MAINTENANCE

FIRING (Cont'd)

6. **CAUTION: THIS IS A SEMI-AUTOMATIC CARBINE AND IS IMMEDIATELY LOADED AND COCKED, READY TO FIRE AGAIN AFTER EACH SHOT UNTIL THE MAGAZINE IS EMPTY.**

7. Release Trigger, place index finger outside of Trigger Guard, and apply Safety by pushing it up. **CAUTION: IF CARBINE FAILS TO FIRE, HOLD IT, KEEP IT POINTED TOWARD THE TARGET OR SAFE OPEN AREA, AND WAIT 30 SECONDS.** If a hangfire (slow ignition) has occurred, round will fire within 30 seconds. If round does not fire, remove Magazine, eject round, and examine Rim. If Firing Pin indent on Rim is light or non-existent, have the Carbine examined by a competent gunsmith. If Firing Pin indent on Rim appears normal assume faulty ammunition. Segregate misfired rounds from other live ammunition. Reload and resume firing.

8. Keep Carbine pointed in a safe direction and unload as previously described. If you cock your

FIRING (Cont'd)

Carbine but do not fire, apply safety until ready to fire. Remember, if there is a round in the Chamber, there is a risk of accidental discharge.

CAUTION

NEVER LEAVE YOUR CARBINE COCKED READY TO FIRE. TO DO SO IS EXTREMELY DANGEROUS AND THE CARBINE COULD EASILY BE ACCIDENTALLY DISCHARGED CAUSING INJURY OR DEATH. SAFETY DEPENDS ON YOU.

ADJUSTING SIGHTS

Your CALICO M-100 is equipped with quickly adjustable Front and Rear Sights. Spring Loaded Detents keep the Sights firmly in place until they are turned by hand. Each click of the Front Sight changes the impact point of the bullet approximately one-half inch in elevation at 100 yards. Similarly, each click of the Rear Sight Changes the impact point approximately one-half inch in windage. While

III - OPERATION AND MAINTENANCE

ADJUSTING SIGHTS

looking down on the Front Sight, turning it clockwise raises the impact point. Turning the Rear Sight clockwise (while facing it) moves the impact point to the left.

CAUTION

DO NOT OVERTIGHTEN THE SIGHTS AGAINST THEIR STOPS AS DAMAGE TO THE SIGHTS AND LOSS OF SMALL PARTS MAY RESULT.

CARE AND CLEANING

GENERAL

Comprehensive knowledge of how to service and handle Carbines is of great importance. Experience has shown that most failures which occur while operating the carbine are due to negligence in maintenance. Special attention must be paid to cleaning, lubricating and inspecting the carbine; this

GENERAL (Cont'd)

will determine whether or not the carbine will function properly when you need it. In order to maintain accuracy, the Barrel must be serviced thoroughly. The Receiver, the Bolt Assembly and other moving parts of the Carbine must be kept clean and lightly lubricated to ensure proper operation. Care and cleaning includes the Magazine, which must be kept free from wax, grit, etc., in order to function properly.

INITIAL CLEANING

1. Upon receipt of Carbine, disassemble (see page 25) and inspect.
2. Clean Carbine as per Periodic Maintenance Procedure.
3. Any heavy or gummy deposits may be removed using very light rust preventive oils such as Breakfree or W.D. 40. After cleaning, wipe dry and lightly coat with gun oil.
4. Never use abrasive or metallic objects, synthetic cloth, dry cleaning fluids, detergents, acids, lyes, water or steam.
5. Reassemble and make sure of proper functioning of Carbine including Safeties. (See page 35)
6. Observe all safety precautions (see page 6).

III - OPERATION AND MAINTENANCE

PERIODIC MAINTENANCE

1. Disassemble the Carbine. (See page 29). Clean all disassembled parts as explained below. Remove all foreign matter or dirt using any widely distributed gun oil and gun cleaning equipment made for sporting and hunting firearms.
2. Clean the Barrel Bore and Chamber: use cleaning rod or pull through with a patch. Continue until patches come out clean. After cleaning, lightly lubricate the Bore and Chamber with a patch dipped in lubricant to prevent corrosion and pitting.
3. Clean exterior and interior surfaces of all subassemblies to remove dampness, dirt and perspiration. Then wipe all metal surfaces with a lightly oiled patch or rag. Pay particular attention to all parts of the firing mechanism.
4. While cleaning, the following inspection must be carried out:
 - a. Examine the Bore and Chamber visually and make sure it is free of rust, pitting and metal fouling, and that the Barrel has not been damaged.

CAUTION: MAKE SURE YOUR CARBINE IS EMPTY BEFORE CLEANING. SAFETY DEPENDS ON YOU.

PERIODIC MAINTENANCE

- b. Check that all disassembled parts are serviceable and none are missing.
 - c. Check the action mechanism in the Lower Receiver for dirt or grit, loose parts or excessive wear.
 - d. Inspect the firing pin visually to make sure that it is undamaged. It is normal for the Firing Pin to be loose in the Bolt.
 - e. Inspect Extractor visually and make sure it is clean and undamaged.
5. Assemble the Carbine. (See page 35)

CAUTION: MAKE SURE YOUR CARBINE IS EMPTY BEFORE CLEANING. SAFETY DEPENDS ON YOU.

III - OPERATION AND MAINTENANCE

PERIODIC MAINTENANCE (Cont'd)

6. After assembly, check the following:
 - a. Make sure the Chamber is empty.
 - b. With fire selector "F" showing (exposed for fire), cock and dry fire at least twice to make sure that the mechanism is working smoothly and properly.
 - c. Cock the Carbine, move fire selector to Safety position, ("S" exposed for Safety), point Barrel in safe direction, squeeze trigger to make sure Safety Catch is working properly. Return fire selector to fire position ("F" exposed), and dry fire.
 - d. Check sights and all exterior parts of the Carbine to make sure that they are undamaged and serviceable.

7. It is imperative that Magazines be given the best care and kept in perfect condition. They

CAUTION: MAKE SURE YOUR CARBINE IS EMPTY BEFORE CLEANING. SAFETY DEPENDS ON YOU.

PERIODIC MAINTENANCE (Cont'd)

should be disassembled and cleaned with mineral oil or other mild cleaning agent. Make sure all build-up of cartridge lube is removed. (See page 20). Check Magazine Lips. They should not be deformed or nicked. Remove excess lubricant prior to re-assembly

CLEANING BEFORE FIRING

1. Disassemble the Carbine. (See page 29)
2. Run clean patches through Bore and Chamber to remove all dust and oil. There should be no oil in Bore and Chamber before firing as this may cause dangerous pressures to develop.
3. Remove excess oil from interior of Bolt and Bolt Face.
4. Check that all moving parts are lightly oiled.
5. Assemble the Carbine and check functioning. (See page 35)

CAUTION: MAKE SURE YOUR CARBINE IS EMPTY BEFORE CLEANING. SAFETY DEPENDS ON YOU.

III - OPERATION AND MAINTENANCE

CLEANING AFTER FIRING

1. The Carbine should be cleaned not later than the evening of the day on which it was fired to prevent corrosion and caking of deposits.
2. Follow procedures of periodic maintenance and pay particular attention to all parts which have been in contact with powder gasses.
 - a. Barrel - In order to remove heavy deposits, use cleaning brush. Make sure the brush goes all the way through the Bore before reversing the direction. Deposits that cannot be readily removed with the brush may be treated by coating Bore and Chamber with a good quality bore cleaning fluid and repeat above procedure. The Barrel should be cleaned and re-oiled, at least once on the day after firing.
 - b. Firing Mechanism - Remove all powder residues from Bolt Face and interior surfaces of Bolt. If necessary, use stiff nylon brush or tooth brush. Clean and lightly oil all parts of the Bolt Mechanism.

CAUTION: MAKE SURE YOUR CARBINE IS EMPTY BEFORE CLEANING. SAFETY DEPENDS ON YOU.

CLEANING AFTER FIRING (Cont'd)

- c. Receiver - Wipe off any heavy deposits in interior and oil lightly.
- d. Magazine - Make sure Magazines are clean and Follower moves freely.

IMMEDIATE ACTION AND TROUBLE SHOOTING

A failure to fire including one caused by an empty Magazine, may often be corrected by taking immediate action.

IMMEDIATE ACTION

Wait 30 seconds with Barrel pointing in a safe direction, then remove and inspect Magazine

- 1. **MAGAZINE EMPTY**
 - a. Cock to remove possible last round. Inspect Chamber and if empty, attach a full Magazine, recock and continue firing.

CAUTION: MAKE SURE YOUR CARBINE IS EMPTY BEFORE CLEANING. SAFETY DEPENDS ON YOU.

III - OPERATION AND MAINTENANCE

IMMEDIATE ACTION (Cont'd)

2. MAGAZINE NOT EMPTY (MALFUNCTION)

- a. Recock to clear possible defective or wrongly positioned round. If a round or case ejects, inspect Chamber and if empty, reload and continue firing.
- b. If nothing ejects, fully draw back Bolt and check if a cartridge or case is in Chamber. If empty, reload and continue firing.
- c. If base of cartridge is visible, allow Bolt to snap home and fire in a safe direction. If Carbine fires and ejects, reload and continue.
- d. If Carbine does not fire, set fire selector on Safety and follow trouble shooting procedure for "spent case or round stuck in Chamber ". (See page 57)

CAUTION: MAKE SURE YOUR CARBINE IS EMPTY BEFORE CLEANING. SAFETY DEPENDS ON YOU.

TROUBLE SHOOTING

FAILURE TO FEED CAUSE

- A. Incorrect Cocking
- B. Magazine Improperly Seated
- C. Magazine Improperly Loaded
- D. Dirty Magazine
- E. Damaged Magazine
- F. Short Recoil
- G. Double Feed

CARBINE JAMS OR CLOSES ON EMPTY CHAMBER REMEDY

- Clear Jam if necessary and recock.
Pull Bolt all the way back and let it snap home by itself; don't ride the Bolt Handle
- Push Magazine home until Latches catch.
1. Seat top Cartridge properly
 2. Check that the Magazine is fully wound - 15 turns
 3. Make sure the rounds in the Magazine are clean, not excessively "waxy"
- Disassemble and Clean
- Replace
- Clear jam. Check Chamber for Cleanliness. Check type of ammunition (may be underpowered). Try other currently commercially manufactured .22 LR ammunition.
1. Inspect for stuck case or cartridge (See page 57)
 2. Check extractor and Ejector.

56 III - OPERATION AND MAINTENANCE

FAILURE TO CHAMBER CAUSE

- A. Incorrect Cocking
- B. Dirty Chamber
- C. Defective Ammunition
- D. Very Dirty Carbine
- E. Defective Return Spring

FAILURE TO FIRE CAUSE

- A. Bolt not Fully Closed
- B. Defective Cartridge
- C. Dirty Firing Mechanism
- D. Defective Firing Pin
- E. Barrel Not Properly Installed

TROUBLE SHOOTING

BOLT DOES NOT FULLY CLOSE AND CARBINE DOES NOT FIRE. REMEDY

- Remove Magazine. Recock and reload
- Clean
- Check for damaged cartridges.
- Check for Sluggishness in Bolt and Firing Mechanism.
- Clean and oil as necessary.
- Check for recurrent sluggishness in operation.
- Check spring assembly for damage. Replace if necessary

HAMMER SNAPS HOME BUT CARBINE WILL NOT FIRE. REMEDY

- Follow procedure for incorrect cocking or short recoil. (See page 55)
- Inspect Rim. If fully indented discard safely. If not fully indented, check Firing Mechanism.
- Check for Sluggishness of operation.
- Clean and replace as necessary.
- Make sure that the Key on the Barrel is in place. Tighten Barrel Retaining Nut until clicking noise stops

TROUBLE SHOOTING

FAILURE TO EXTRACT OR EJECT

CAUSE

- | | |
|-------------------------------------|---|
| A. Underpowered ammo (Short Recoil) | Check ammunition and change to a different brand of currently commercial manufactured .22LR if the problem persists |
| B. Dirty or Damaged Chamber | Inspect, clean, replace Barrel if necessary. |
| C. Defective Ammunition | Check Ammunition for damage. Replace if problems persist. |
| D. Fouled Extractor | Clean Extractor. |
| E. Extractor Defective or Missing | Replace |
| F. Damaged Ejector | Replace if necessary. |

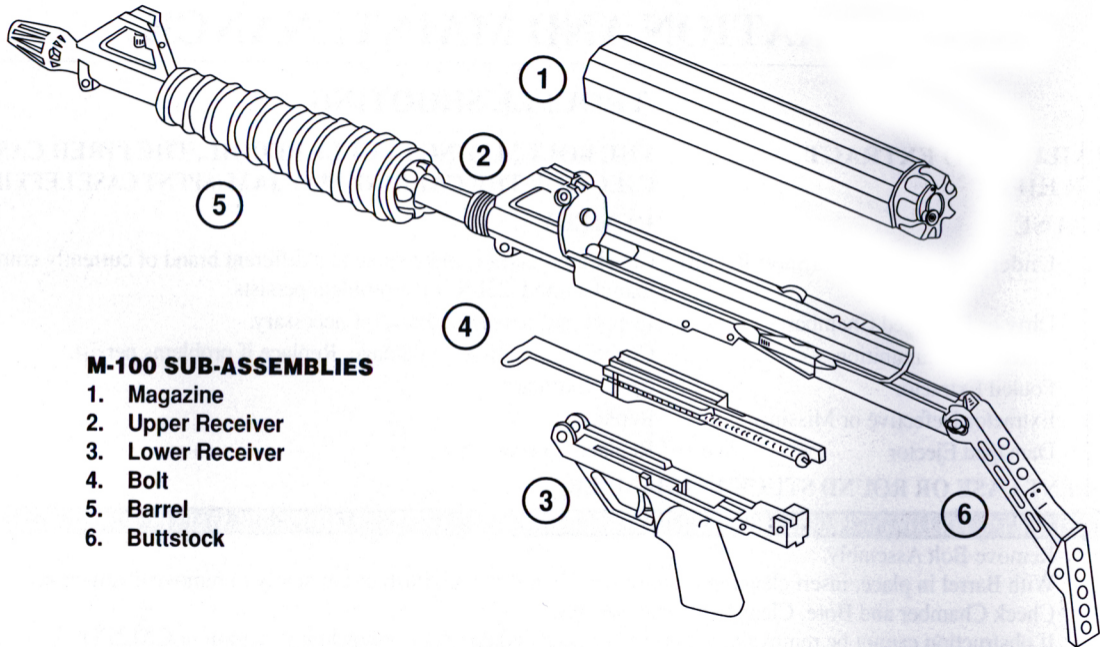
THE BOLT MAY NOT FULLY RECOIL, THE FIRED CASE MAY NOT EJECT, OR THE CARBINE MAY JAM (SPENT CASE LEFT IN CHAMBER).

REMEDY

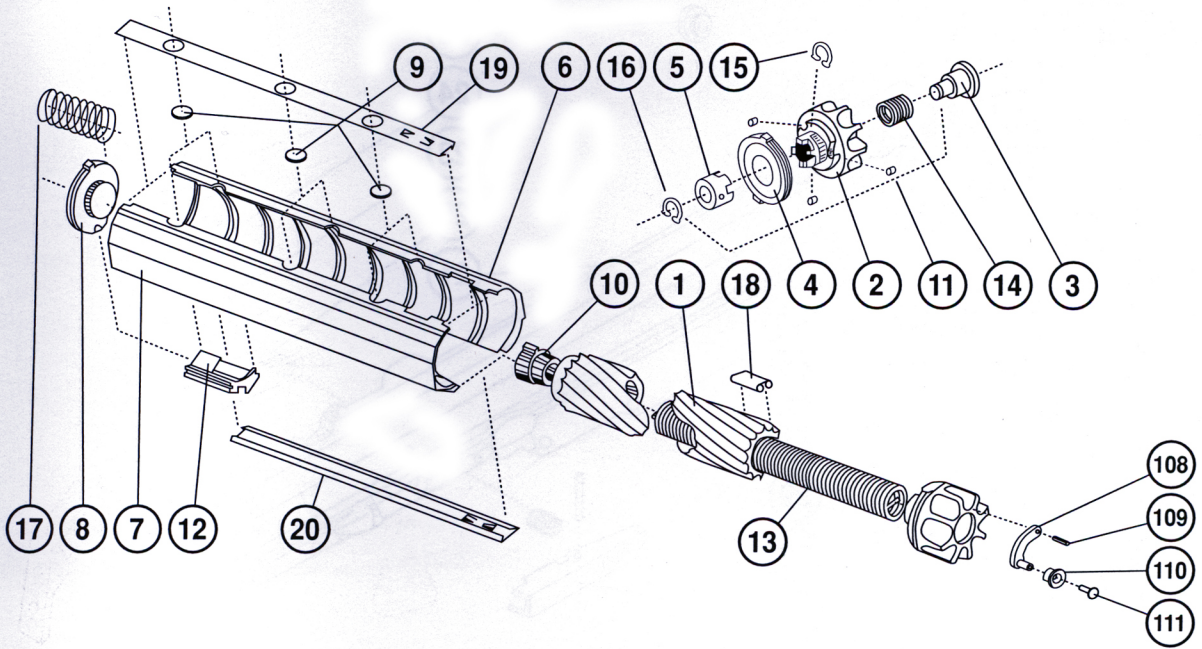
SPENT CASE OR ROUND STUCK IN CHAMBER

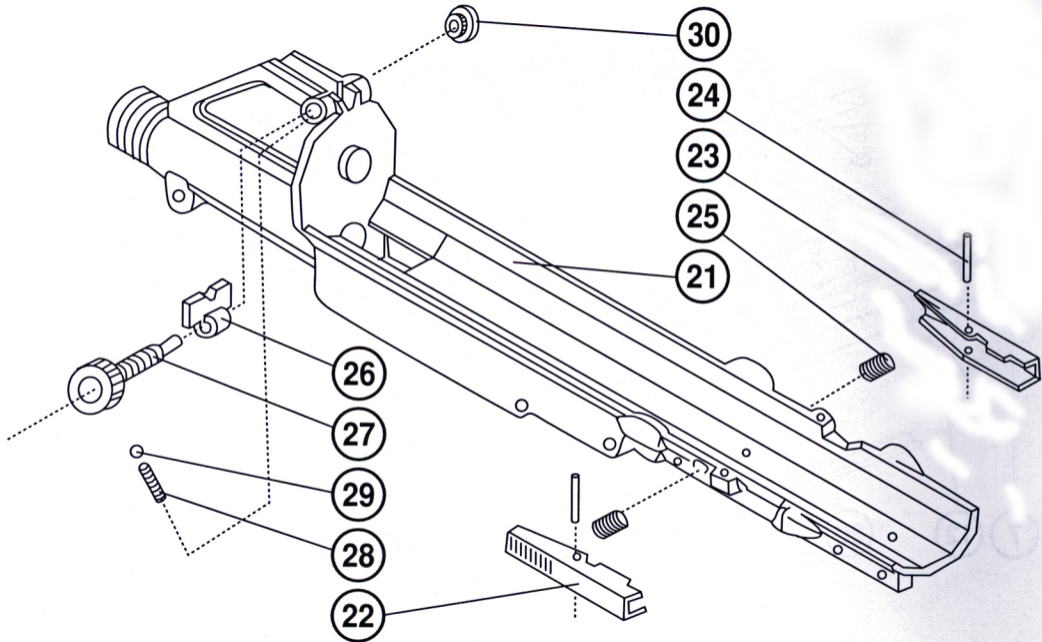
CAUTION: THE FOLLOWING PROCEDURE SHOULD BE CARRIED OUT ONLY AFTER FOLLOWING THE STEPS IN "IMMEDIATE ACTION" (SEE PAGE 53)

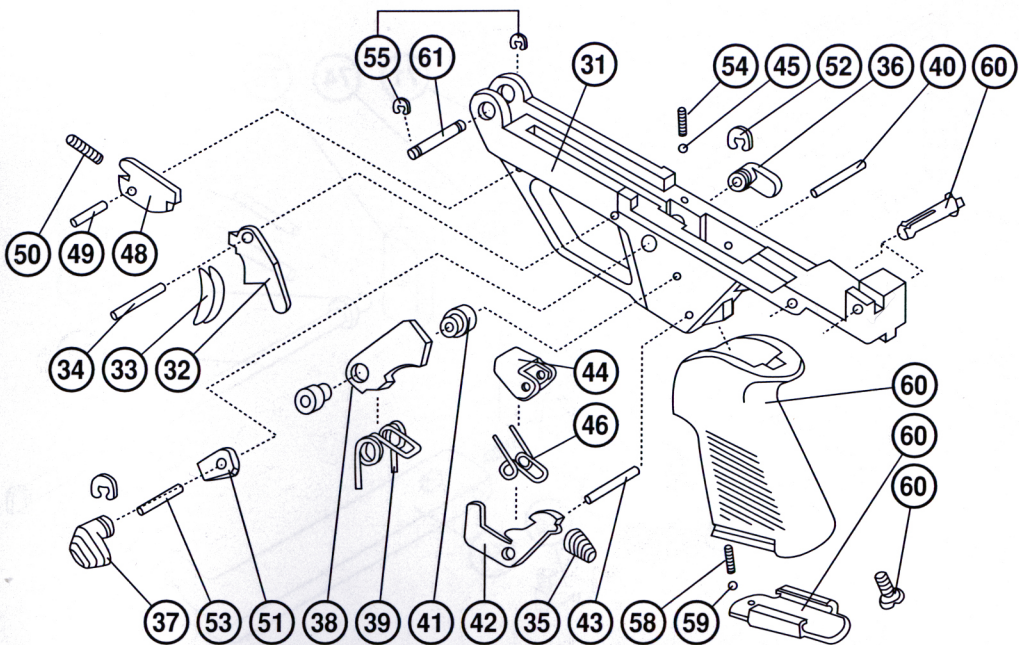
1. Remove Bolt Assembly.
2. With Barrel in place, insert cleaning rod through front of Barrel. Push or tap gently to remove obstruction.
3. Check Chamber and Bore. Clean before reassembly.
4. If obstruction cannot be removed, disassemble Barrel and contact a competent gunsmith or CALICO

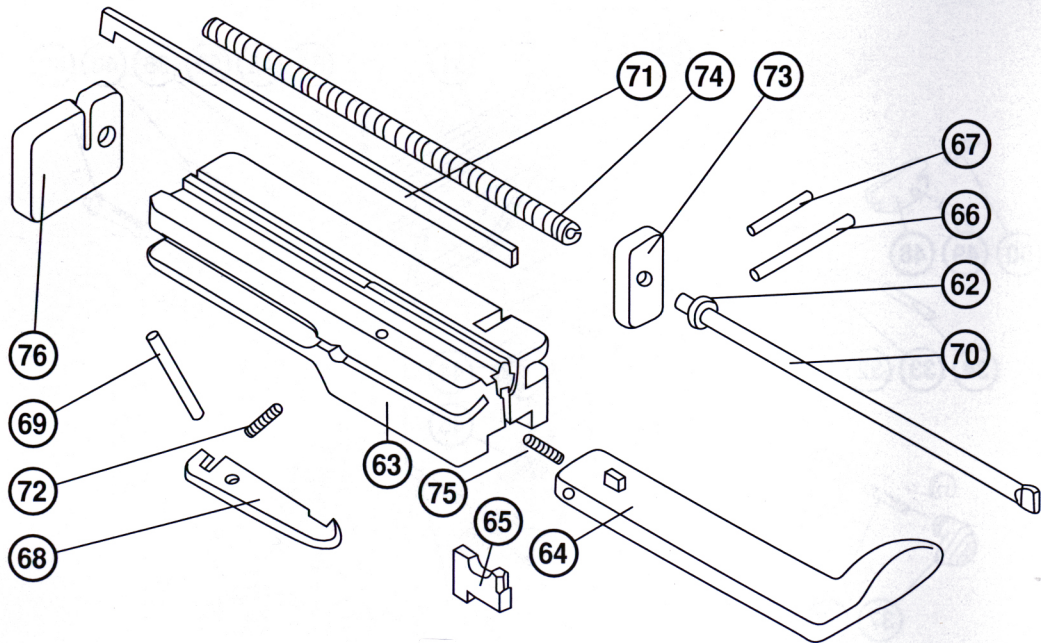
**M-100 SUB-ASSEMBLIES**

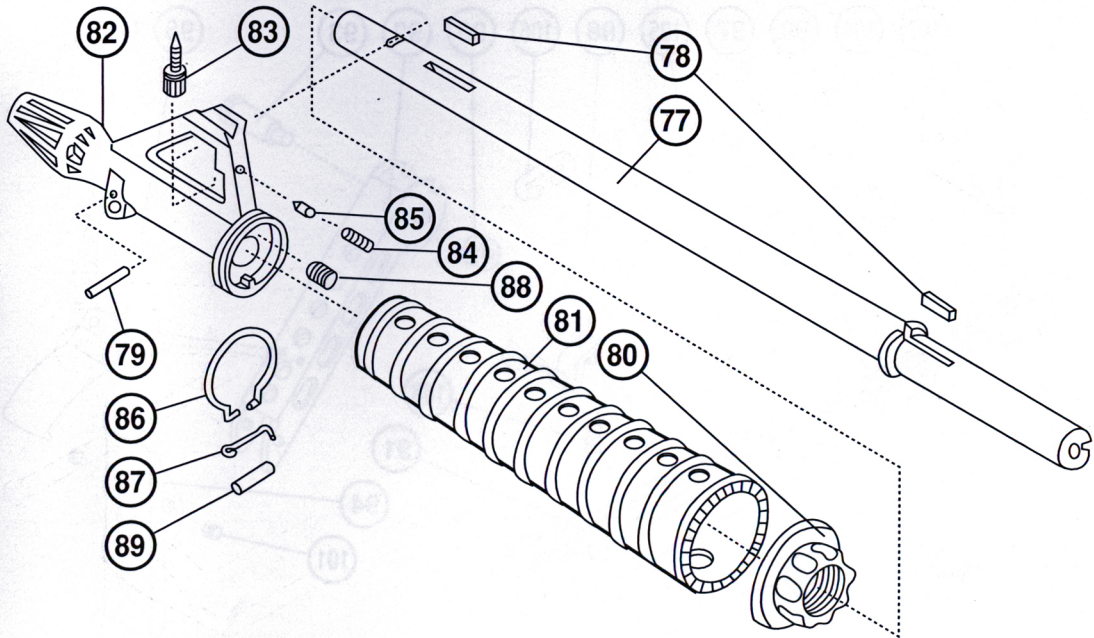
1. Magazine
2. Upper Receiver
3. Lower Receiver
4. Bolt
5. Barrel
6. Buttstock

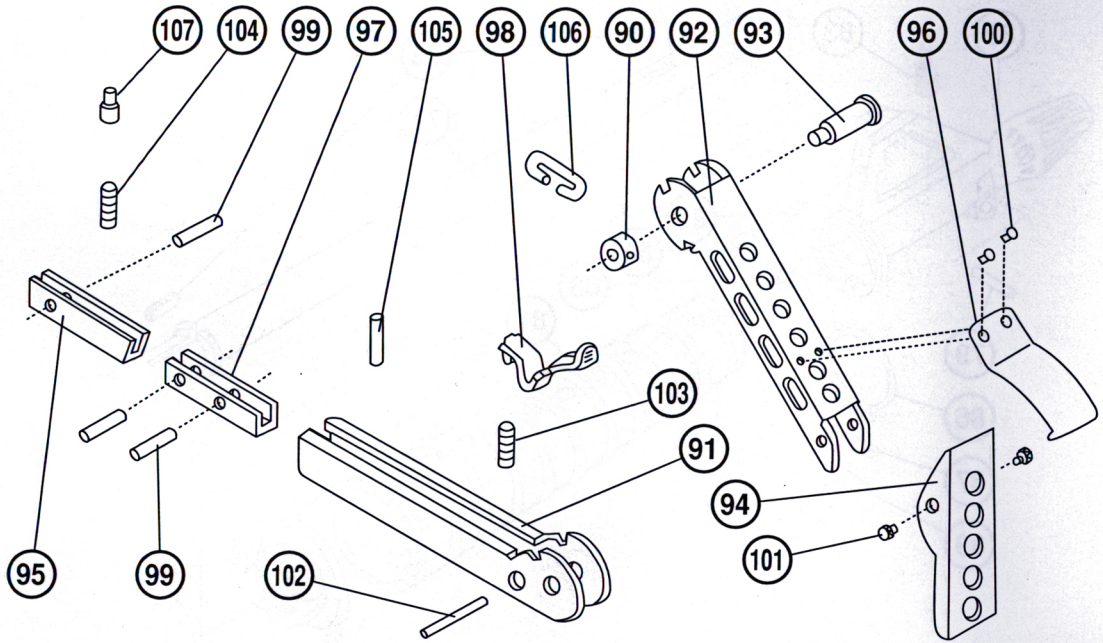




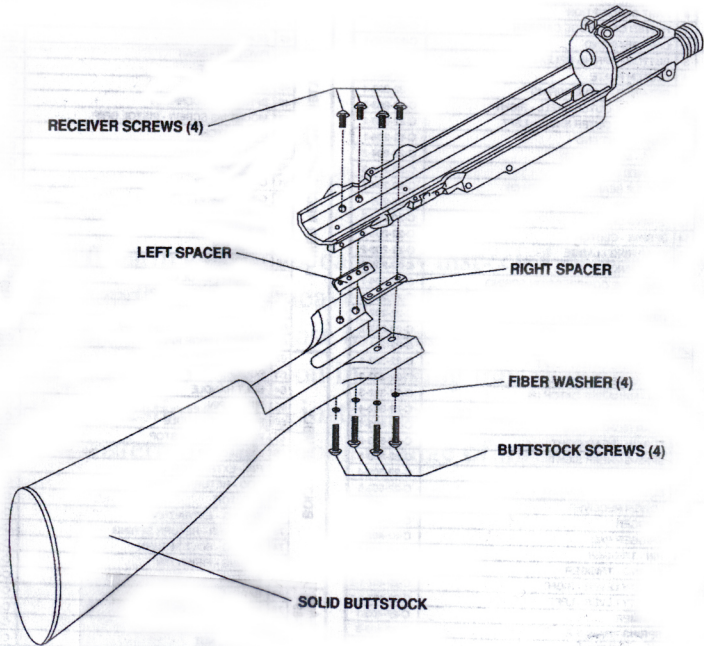








M-100 FS FIXED STOCK ASSEMBLY



	#	PART DESCRIPTION	PART NO.
MAGAZINE ASSEMBLY	1	FLUTED CARTRIDGE CARRIER	C-22-201
	2	CAP - REAR END	C-22-202-1
	3	BUTTON - SPRING RELEASE	C-22-202-2
	4	CLUTCH PLATE	C-22-202-3
	5	RETAINER - DRIVE SPRING	C-22-202-4
	6	MAGAZINE OUTER SHELL - RIGHT	C-22-203-2
	7	MAGAZINE OUTER SHELL - LEFT	C-22-203-1
	8	CAP - FRONT END	C-22-204-1
	9	LENS - MAGAZINE (3)	C-22-204-2
	10	SPLINED DRIVE	C-22-204-3
	11	ROLLER BEARING - CLUTCH (3)	C-22-204-4
	12	FEED LIPS	C-22-205
	13	SPRING DRIVE	C-22-204-5
	14	SPRING - CLUTCH	C-22-206-1
	15	SNAP RING - LARGE	C-22-206-2
	16	SNAP RING - SMALL	C-22-206-3
	17	MAGAZINE COMPRESSION SPRING	C-22-204-7
	18	FOLLOWER - MAGAZINE	C-22-204-6
	19	RIBBON CLAMP - UPPER	C-22-207-1
	20	RIBBON CLAMP - LOWER	C-22-207-2
UPPER RECEIVER ASSEMBLY	21	UPPER RECEIVER	C-22-301
	22	MAGAZINE CATCH - LEFT	C-22-302-1
	23	MAGAZINE CATCH - RIGHT	C-22-302-2
	24	PIN - MAGAZINE CATCH (2)	C-22-302-3
	25	SPRING - MAGAZINE CATCH (2)	C-22-302-4
	26	REAR SIGHT BLADE	C-22-303-1
	27	SCREW - REAR SIGHT	C-22-303-2
	28	SPRING - REAR SIGHT	C-22-303-6
	29	BALL	C-22-303-4
	30	BUSHING - REAR SIGHT	C-22-303-5
LOWER RECEIVER ASSEMBLY	31	LOWER RECEIVER	C-22-401
	32	TRIGGER	C-22-402-1
	33	TRIGGER PAD	C-22-402-2
	34	PIN - TRIGGER	C-22-402-3
	35	SPRING - TRIGGER	C-22-402-4
	36	SAFETY LEVER - RIGHT	C-22-407-1-2
	37	SAFETY LEVER - LEFT	C-22-407-1-1
	38	HAMMER	C-22-403-1
	39	SPRING - HAMMER	C-22-403-3
	40	PIN - HAMMER	C-22-402-3

	#	PART DESCRIPTION	PART NO.	
LOWER RECEIVER ASSEMBLY	41	BUSHING - HAMMER (2)	C-22-403-5	
	42	SEAR	C-22-404-1	
	43	PIVOT PIN - SEAR	C-22-402-3	
	44	DISCONNECT	C-22-405-1	
	45	BALL - SAFETY	C-22-303-4	
	46	SPRING - DISCONNECT	C-22-405-3	
	47	MOUNTING SCREW - PISTOL GRIP	C-22-405-4	
	48	BOLT CATCH	C-22-406-1	
	49	PIN - BOLT CATCH	C-22-406-2	
	50	SPRING - BOLT CATCH	C-22-411	
	51	CAM - SAFETY	C-22-407-2	
	52	C-RING SAFETY (2)	C-22-407-3	
	53	SHAFT - SAFETY	C-22-407-4	
	54	SPRING - SAFETY	C-22-303-3	
	55	HINGE PIN	C-22-410-3	
	56	PISTOL GRIP	C-22-408	
	57	COVER - PISTOL GRIP	C-22-409	
	58	SPRING - PISTOL GRIP	C-22-303-3	
	59	BALL - PISTOL GRIP COVER	C-22-303-4	
	60	PIN - TAKE-DOWN - LONG (2)	C-22-410-1	
	61	C-RING - HINGE PIN (2)	C-22-410-2	
	BOLT ASSEMBLY	62	WASHER RETURN SPRING	C-22-403-2
		63	BOLT	C-22-501
		64	BOLT HANDLE	C-22-502-1
		65	FIRING PIN	C-22-502-2
		66	PIN - BOLT HANDLE	C-22-502-3
		67	PIN - FIRING PIN STOP	C-22-502-5
		68	EXTRACTOR	C-22-503-1
		69	PIN - EXTRACTOR	C-22-502-4
		70	ROD - RETURN SPRING	C-22-503-3
		71	EJECTOR	C-22-503-4
72		SPRING - EXTRACTOR	C-22-504-1	
73		RETAINER - RETURN SPRING	C-22-504-2	
74		SPRING - BOLT RETURN	C-22-504-3	
75		SPRING - FIRING PIN	C-22-504-4	
76		BUFFER	C-22-504-5	
B.A. 77-89		77	BARREL	C-22-601-C
		78	KEY - BARREL (2)	C-22-601-2
	79	CROSS PIN - BARREL	C-22-704-4	
	80	BARREL NUT	C-22-602	

	#	PART DESCRIPTION	PART NO.	
BARREL ASSEMBLY	81	BARREL SHROUD	C-22-603	
	82	FRONT SIGHT	C-22-604-2	
	83	FRONT SIGHT POST	C-22-605-1	
	84	SPRING - FRONT SIGHT POST	C-22-303-3	
	85	PIN - FRONT SIGHT POST	C-22-606	
	86	SLING RING	C-22-605-5	
	87	CLASP - SLING RING	C-22-605-6	
	88	SPRING - BARREL SHROUD	C-22-605-7	
	89	SLEEVE - SLING	C-22-704-9	
	90	WASHER - PIVOT PIN	C-22-704-11	
	91	SLIDING ARM	C-22-701-1	
	92	PIVOTING ARM	C-22-701-2	
	93	PIVOT PIN	C-22-701-3	
	94	BUTT PLATE	C-22-702-1	
	95	SLIDING ARM LOCK	C-22-702-2	
	96	LEAF SPRING	C-22-702-3	
	97	SLIDING ARM TRACK	C-22-702-4	
	98	RELEASE LEVER - BUTTSTOCK	C-22-703	
	99	PIN - SLIDING ARM LOCK & TRACK (3)	C-22-704-1	
BUTTSTOCK ASSEMBLY	100	RIVET - LEAF SPRING (2)	C-22-704-2	
	101	HINGE PIN - KNURLED (2)	C-22-704-3	
	102	ROLL PIN - RELEASE LEVER	C-22-704-4	
	103	SPRING - RELEASE LEVER	C-22-704-5	
	104	SPRING - SLIDING ARM LOCK	C-22-704-6	
	105	DOWEL - STOP	C-22-402-3	
	106	OBROUND RING	C-22-704-8	
	107	EJECTOR BUTTON - MAG.	C-22-704-10	
	MAGAZINE HANDLE	108	CRANK - WINDING	C-22-202-5
		109	SLEEVE - WINDING	C-22-202-6
		110	BUTTON - SLEEVE	C-22-202-7
111		PIN - CRANK	C-22-202-8	

FOR REPLACEMENT PARTS, CONTACT



1090 Hemlock St.
Elgin, OR 97827

Ph: (541) 437-1031 Fax: (541) 437-1035
www.calicolightweaponsystems.com

LIMITED WARRANTY

CALICO warrants this product only to the original purchaser at retail to be free from defective materials and workmanship from the date of original retail purchase for the period as shown below.

MODEL NO.	SERIAL NO.	PARTS	LABOR
M100 / M100FS		LIMITED LIFETIME	LIMITED LIFETIME

WHAT IS COVERED

All parts which are defective in materials or workmanship, subject to the following:

WHAT IS NOT COVERED

- (1) Products which have been subjected to abuse, accident, alteration, modification tampering, negligence, misuse, or if repaired or serviced by anyone other than a service facility authorized by Calico to render such service, or if the model or serial number has been altered, tampered with, defaced, or removed.
- (2) Operational adjustments or procedures covered in the Owner's Manual, if any.
- (3) Actual or alleged labor, transportation, or other incidental charges.
- (4) Actual or alleged consequential damages incurred by use of this product.

WHO IS COVERED

The original purchaser, at retail.

WHAT WE WILL DO

CALICO, at its election, will repair or replace all defective parts free of charge that are covered by this limited warranty.

WHAT YOU MUST DO FOR WARRANTY SERVICE

Box this product carefully, preferably in the original carton, and ship, insured, with a copy of your bill of sale or credit card charge receipt plus a letter of explanation of the problem to:

CALICO

1090 Hemlock St.
Elgin, OR 97827

Ph: (541) 437-1031 Fax: (541) 437-1035

www.calicolightweaponsystems.com

A copy of your dated bill of sale or credit card charge receipt is necessary to prove warranty coverage.

No other express warranty is applicable to this product. THE DURATION OF ANY IMPLIED WARRANTIES, INCLUDING THE IMPLIED WARRANTY OF MERCHANTABILITY, IS LIMITED TO THE DURATION OF THE EXPRESS WARRANTY HEREIN. CALICO SHALL NOT BE LIABLE FOR THE LOSS OF USE OF THE PRODUCT, INCONVENIENCE, LOSS OR ANY OTHER DAMAGES, DIRECT OR CONSEQUENTIAL, ARISING OUT OF THE USE OF, OR INABILITY TO USE, THIS PRODUCT OR FOR ANY BREACH OF ANY EXPRESS OR IMPLIED WARRANTY, INCLUDING THE IMPLIED WARRANTY OF MERCHANTABILITY APPLICABLE TO THIS PRODUCT.

Some states do not allow the exclusion or limitation of incidental or consequential damages or limitations on how long an implied warranty lasts, so these limitations or exclusions may not apply to you. This warranty gives you specific legal rights, and you may also have other rights which vary from state to state.

RETAIN THIS PART OF YOUR WARRANTY

Calico is Dedicated To The Safe Enjoyment Of The Shooting Sports.

We Encourage All Firearm Owners To Be Safe And Responsible, And To Observe All The Laws And Regulations Relating To Firearms And Shooting.

Remember

SAFETY DEPENDS ON YOU!